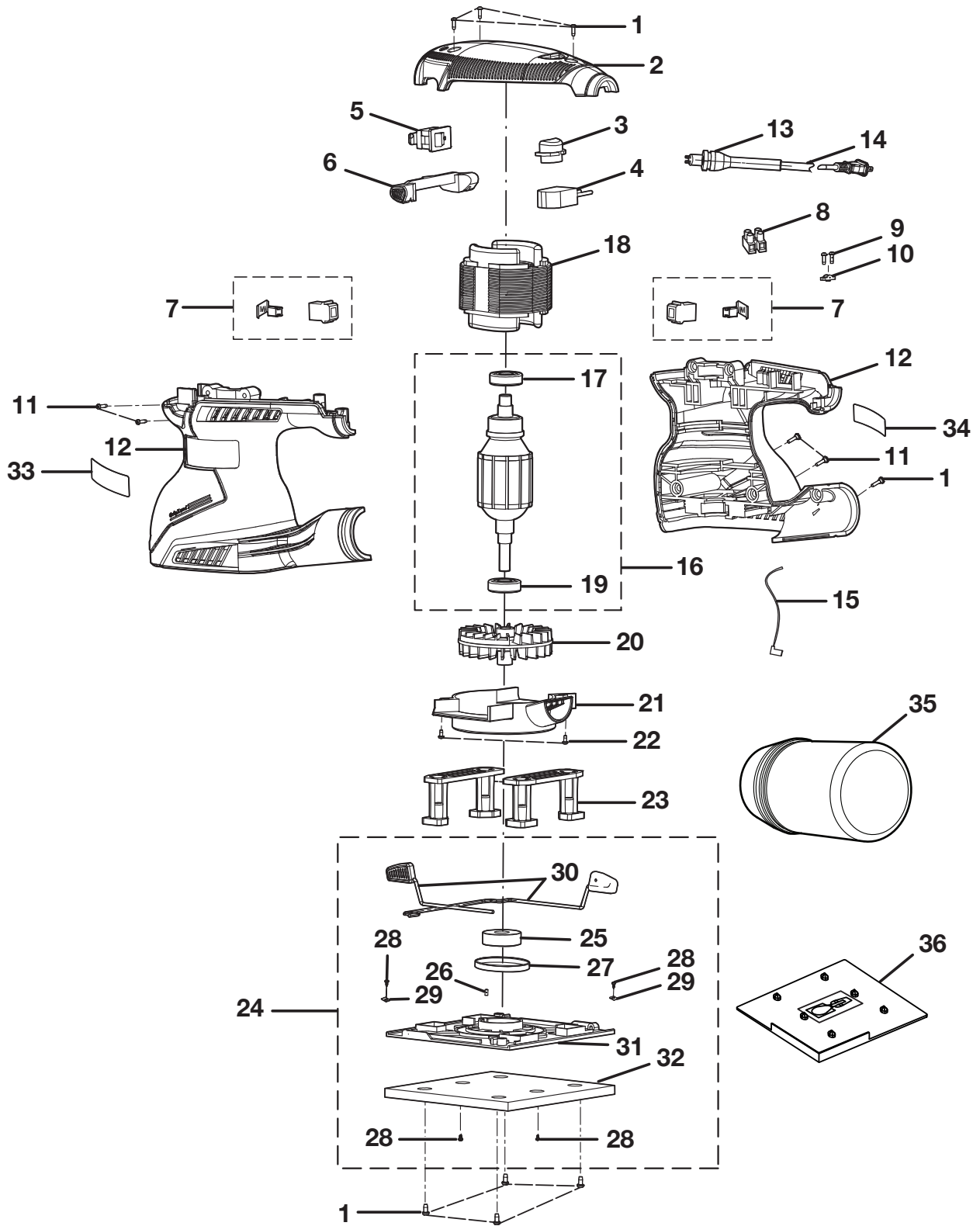


**RYOBI
1/4 SHEET SANDER
DOUBLE INSULATED
MODEL NO. S652D
REPAIR SHEET**

RYOBI 1/4 SHEET SANDER - MODEL NUMBER S652D



NOTE: To avoid the possibility of alteration or damage to this product, service should be performed by your nearest Ryobi Authorized Service Center. For the service center nearest you call 1-800-525-2579.

RYOBI 1/4 SHEET SANDER - MODEL NUMBER S652D

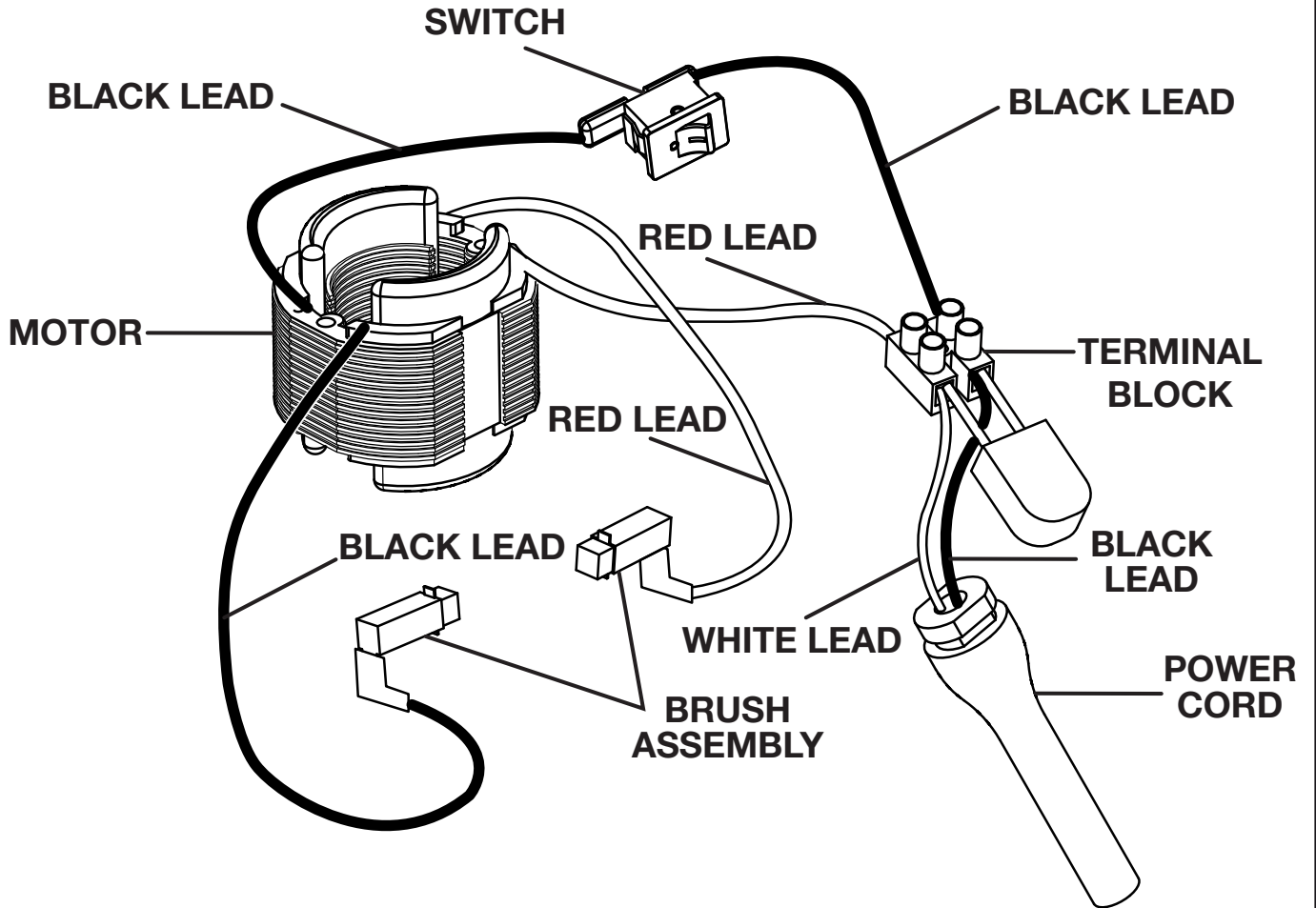
The model number will be found on a plate attached to the motor housing. Always mention the model number in all correspondence regarding your **SHEET SANDER** or when ordering repair parts.

PARTS LIST

Key No.	Part Number	Description	Qty.
1	030155001002	* SCREW (M4 x 16 mm PAN HD.)	8
2	039066005001	HOUSING TOP	1
3	039066005002	LIGHT COVER	1
4	039065005017	LIVE TOOL INDICATOR.....	1
5	039110006001	SWITCH.....	1
6	039066005004	TRIGGER SWITCH.....	1
7	039066005005	BRUSH ASSEMBLY	2
8	039065005016	TERMINAL BLOCK	1
9	030155001024	* SCREW (M4 x 14 mm PAN HD.)	2
10	S650D-16	CORD CLAMP.....	1
11	S650D-02	* SCREW (M4 x 20 mm PAN HD.)	4
12	039066005009	HOUSING ASSEMBLY	1
13	S650D-09	BEND RELIEF.....	1
14	039066005010	POWER CORD ASSEMBLY	1
15	039066005011	LEAD W/TERMINAL	1
16	039066005012	ARMATURE ASSEMBLY (INC. KEY NOS. 17 AND 19)	1
17	039066005013	BALL BEARING (608RZ)	1
18	039066005014	FIELD ASSEMBLY	1
19	039066005015	BALL BEARING (609-2RS).....	1
20	S650D-22	FAN.....	1
21	039066005016	FAN BAFFLE	1
22	S650D-25	* SCREW (M4 x 12 mm PAN HD.)	2
23	030155001010	POST CUSHION.....	2
24	039066005019	PLATEN ASSEMBLY (INC. KEY NOS. 25-32)	1
25	039176001012	BALL BEARING (6000LU)	1
26	S650D-34	BUMPER	1
27	S650D-29	DUST SHIELD	1
28	S650D-31	* SCREW (M4 x 7.5 mm PAN HD.)	4
29	S650D-32	RETAINING PLATE	2
30	039066005021	SPRING CLAMP W/OVERMOLD	2
31	039066005022	PLATEN	1
32	039066005023	PAD ASSEMBLY	1
33	039066005026	LOGO LABEL	1
34	039066005027	DATA LABEL.....	1
35	039065005022	DUST BAG	1
36	039176001022	HOLE PUNCH	1
ITEMS NOT SHOWN			
37	039066005024	* 60 GRIT SANDPAPER	1
38	039066005025	* 80 GRIT SANDPAPER	1
39	S650D-42	* 150 GRIT SANDPAPER	1
40	S650D-43	* 220 GRIT SANDPAPER	1
41	039066005028	TOOL BAG	1

987000152 OPERATOR'S MANUAL (039066005032)
 09-06-07
 (REV:00)

* Standard Hardware Item – May Be Purchased Locally



WIRING DIAGRAM