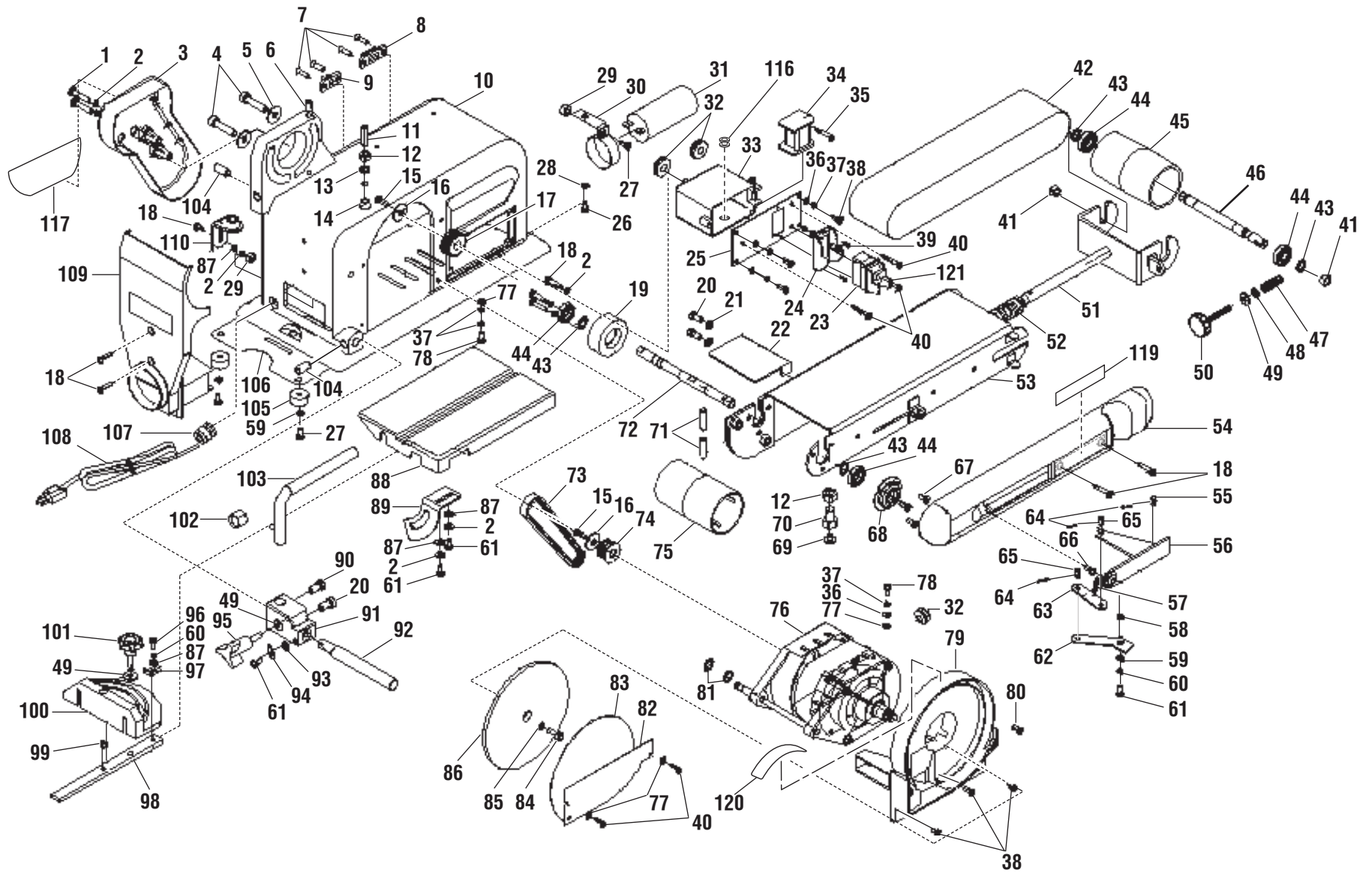


RYOBI
BELT AND DISC SANDER
MODEL NO. BD4600
REPAIR SHEET

RYOBI BELT AND DISC SANDER - MODEL NUMBER BD4600



RYOBI BELT AND DISC SANDER – MODEL NUMBER BD4600

The model number will be found on a plate attached to the motor housing. Always mention the model number in all correspondence regarding your **Belt and Disc Sander** or when ordering repair parts.

PARTS LIST

KEY NO.	PART NUMBER	DESCRIPTION	QTY.	KEY NO.	PART NUMBER	DESCRIPTION	QTY.
1	BD46001	PHILLIPS SCREW (M5 X 30 mm)	2	31	BD46011	CAPACITOR	1
2	BD46040	LOCK WASHER	8	32	BD46083	WIRE BUSHING	3
3	BD46002	DRIVE BELT COVER	1	33	BD46018	WIRE CONNECTION BOX	1
4	BD46003	* SCREW (M8 X 35 mm)	2	34	BD46016	START RELAY	1
5	BD46004	WASHER	2	35	BD46017	* SCREW (4.2 X 30 mm)	1
6	BD46080	* SCREW (M6 X 16 mm)	1	36	BD46062	FLAT WASHER	5
7	BD46081	* SCREW (M5 X 10 mm)	4	37	BD46019	LOCK WASHER	7
8	BD46049	MITER GAGE HOLDER	1	38	BD46020	* SCREW (M4 X 10 mm)	7
9	BD46082	WRENCH HOLDER	1	39	BD46106	* SCREW (M3 X 4 mm)	2
10	BD46010	MOTOR HOUSING	1	40	BD46022	* SCREW (4.2 X 10 mm)	5
11	BD46006	* SCREW (M12 X 30 mm)	1	41	BD46028	BUSHING	2
12	BD46105	HEX NUT	2	42	BD46024	SANDING BELT	1
13	BD46008	LOCK WASHER	1	43	BD46027	RETAINING RING	4
14	BD46009	SCREW SLEEVE	1	44	BD46025	BEARING	4
15	BD46077	* SCREW, LEFT HAND (M5 X 12 mm)	2	45	BD46026	SANDING BELT IDLER ROLLER	1
16	BD46084	WASHER	2	46	BD46029	SANDING BELT IDLER SHAFT	1
17	BD46015	IDLER PULLEY	1	47	BD46030	ADJUSTING SPRING	1
18	BD46060	* SCREW (M5 X 20 mm)	8	48	BD46031	RUBBER PAD	1
19	BD46059	BEARING HOUSING	1	49	BD46097	WASHER	3
20	BD46056	* SCREW (M8 X 16 mm)	3	50	BD46033	BELT TRACKING KNOB	1
21	BD46055	FLAT WASHER	2	51	BD46035	BELT TENSION ASSEMBLY	1
22	BD46054	WORK REST	1	52	BD46036	BELT TENSION SPRING	1
23	BD46023	SWITCH W/KEY	1	53	BD46037	BELT FRAME	1
24	BD46107	SWITCH GUARD	1	54	BD46038	FRAME COVER	1
25	BD46021	SWITCH BOARD	1	55	BD46034	PIN (M5 X 10 mm)	1
26	BD46014	* SCREW (M6 X 8 mm)	1	56	BD46041	BELT TENSION LEVER	1
27	BD46032	* SCREW (M5 X 12 mm)	5	57	BD46110	SPRING	1
28	BD46013	LOCK WASHER	1	58	BD46042	SCREW SLEEVE	1
29	BD46039	HEX NUT	2	59	BD46065	FLAT WASHER	5
30	BD46012	CAPACITOR SUPPORT	1	60	BD46079	TOOTHED LOCK WASHER	2

WARNING: Improper repair of a double insulated tool can result in damage to the double insulation system possibly causing electrical shock or electrocution. Any repairs requiring disassembly of your tool requires safety testing and should only be performed by a Ryobi Authorized Service Center. For the service center nearest you call 1-800-525-2579.

* Standard Hardware Item – May Be Purchased Locally

RYOBI BELT AND DISC SANDER – MODEL NUMBER BD4600

The model number will be found on a plate attached to the motor housing. Always mention the model number in all correspondence regarding your **Belt and Disc Sander** or when ordering repair parts.

PARTS LIST

KEY NO.	PART NUMBER	DESCRIPTION	QTY.	KEY NO.	PART NUMBER	DESCRIPTION	QTY.
61	BD46066	* SCREW (M5 X 10 mm)	3	93	BD46071	SPRING WASHER	1
62	BD46044	TENSIONING PLATE	1	94	BD46072	WORK TABLE ANGLE POINTER.....	1
63	BD46045	CONNECTION PLATE	1	95	BD46070	WORK TABLE CLAMP KNOB	1
64	BD46046	OPEN END PIN (M2 X 10 mm)	3	96	BD46094	* SCREW (M5 X 8 mm)	1
65	BD46043	PIN (M5 X 8 mm).....	2	97	BD46096	MITER GAGE POINTER.....	1
66	BD46108	* SCREW (M5 X 16 mm)	1	98	BD46101	MITER GAGE BAR.....	1
67	BD46047	* SCREW (M5 X 6 mm)	3	99	BD46099	PIN	1
68	BD46048	BEARING CAP	1	100	BD46098	MITER GAGE HOUSING	1
69	BD46050	RUBBER PAD	1	101	BD46095	MITER GAGE KNOB.....	1
70	BD46051	* BOLT (M12 X 20 mm)	1	102	BD46068	WORK TABLE RELEASE SLEEVE	1
71	BD46053	* SCREW (M8 X 12 mm)	2	103	BD46067	WORK TABLE SUPPORT ROD.....	1
72	BD46057	SANDING BELT DRIVING SHAFT.....	1	104	BD46005	* SCREW (M12 X 10 mm)	2
73	BD46075	COG DRIVE BELT	1	105	BD46092	RUBBER FOOT	4
74	BD46076	DRIVING PULLEY	1	106	BD46007	BOTTOM COVER	1
75	BD46052	SANDING BELT DRIVE ROLLER.....	1	107	BD46103	STRAIN RELIEF	1
76	BD46058	MOTOR.....	1	108	BD46104	POWER CORD	1
77	BD46061	TOOTHED LOCK WASHER.....	4	109	BD46093	DUST COLLECT COVER.....	1
78	BD46100	* SCREW (M4 X 8 mm)	2	110	BD46109	MOTOR BRACKET ASSEMBLY	1
79	BD46085	SANDING DISK GUARD.....	1	111	BD46111	LOGO LABEL (NOT SHOWN).....	2
80	BD46086	* SCREW (M4 X 16 mm)	1	112	BD46112	MITER GAGE LABEL (NOT SHOWN)	1
81	BD46078	SPACE RING	2	113	BD46113	WARNING LABEL (NOT SHOWN)	1
82	BD46088	DISK COVER	1	114	BD46114	DATA PLATE (NOT SHOWN).....	1
83	BD46102	SANDPAPER DISK	1	115	976605001	HEX WRENCH (6 mm HEX KEY) (NOT SHOWN)	1
84	BD46089	* SCREW (M6 X 16 mm)	1	116	080900062521	RUBBER GROMMET.....	1
85	BD46090	LOCK WASHER.....	1	117	BD46118	LABEL, BELT POSITION.....	1
86	BD46091	SANDING DISK	1	118	080900062520	CABLE TIE (NOT SHOWN)	2
87	BD46087	WASHER.....	4	119	080900062901	DIRECTIONAL LABEL	1
88	BD46063	WORK TABLE	1	120	080900062902	DISC DIRECTIONAL LABEL	1
89	BD46064	WORK TABLE SUPPORT PLATE.....	1	121	080900062522	SWITCH KEY	1
90	BD46069	* SCREW (M8 X 16 mm)	1		983000017	OPERATOR'S MANUAL	1
91	BD46074	WORK TABLE MOUNTING BLOCK	1		2-4-08		
92	BD46073	WORK TABLE MOUNTING ROD.....	1		(REV:04)		

WARNING: Improper repair of a double insulated tool can result in damage to the double insulation system possibly causing electrical shock or electrocution. Any repairs requiring disassembly of your tool requires safety testing and should only be performed by a Ryobi Authorized Service Center. For the service center nearest you call 1-800-525-2579.

* Standard Hardware Item – May Be Purchased Locally