

**RYOBI 7-1/4 in.
LASER CIRCULAR SAW
MODEL NO. CSB133L
REPAIR SHEET**

RYOBI 7-1/4 in. LASER CIRCULAR SAW – MODEL NO. CSB133L

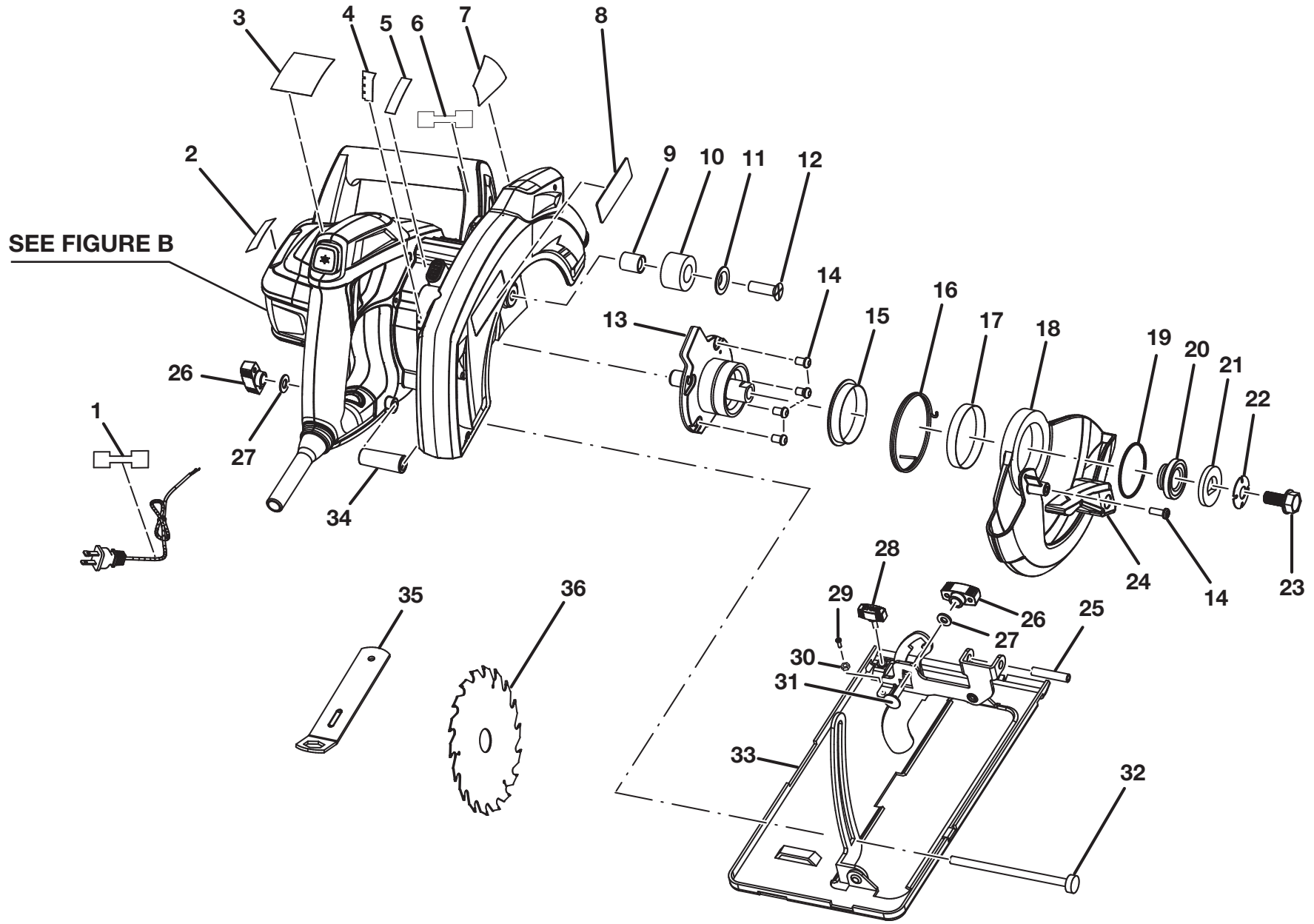


FIGURE A

RYOBI 7-1/4 in. LASER CIRCULAR SAW – MODEL NO. CSB133L

The model number will be found on a plate attached to the motor housing. Always mention the model number in all correspondence regarding your **CIRCULAR SAW** or when ordering repair parts.

PARTS LIST (FIGURE A)

KEY NO.	PART NUMBER	DESCRIPTION	QTY	KEY NO.	PART NUMBER	DESCRIPTION	QTY
1	940221050	CORD TAG LABEL FOR CIRCULAR SAW..	1	21	680775001	OUTER BLADE WASHER	1
2	940304502	LOGO LABEL (REAR)	1	22	680776001	BLADE WASHER	1
3	940976262	DATA LABEL	1	23	660124001	BLADE BOLT.....	1
4	940266016	CUTTING DEPTH LABEL.....	1	24	516871001	LOWER BLADE GUARD HANDLE.....	1
5	940275081	SPINDLE LOCK DECAL.....	1	25	680980003	ROLL PIN.....	1
6	941361002	CORD TAG LABEL FOR LASER	1	26	301124006	DEPTH ADJUSTMENT KNOB	2
7	940976269	LASER LABEL	1	27	680771002	WASHER.....	2
8	940304501	LOGO LABEL (FRONT).....	1	28	301124007	EDGE GUIDE KNOB	1
9	671022001	BUMPER SLEEVE.....	1	29	660112006	* SCREW (8-32 x 9 mm).....	1
10	570038001	BUMPER.....	1	30	660106007	* HEX NUT (8-32)	1
11	671032001	WASHER.....	1	31	660104010	CARRIAGE BOLT (1/4-20 x 5/8 in.).....	1
12	661148001	* SCREW (M8 x 30 mm).....	1	32	660104002	CARRIAGE BOLT (1/4-20 x 3-3/4 in.)	1
13	200677001	LOWER BLADE GUARD SUPPORT w/OUTPUT SHAFT AND BEARING ASSEMBLY	1	33	300530028	BASE ASSEMBLY	1
14	660311006	* SCREW (10-24 x 1/2 in.).....	5	34	550423004	SPACER	1
15	514310001	SLEEVE.....	1	35	630805007	WRENCH (14 mm)	1
16	692039001	TORSION SPRING.....	1	36	681323001	BLADE (20T).....	1
17	632417001	SLEEVE FOR LOWER GUARD	1		200673001	OPTIONAL VACUUM ADAPTERS w/SCREWS (NOT SHOWN).....	1
18	641515001	LOWER GUARD.....	1		987000327	OPERATOR'S MANUAL (961022008)	
19	680778002	RETAINING RING.....	1		10-28-08		
20	680774010	INNER FLANGE BUSHING	1		(REV:02)		

⚠ WARNING: Improper repair of a double insulated tool can result in damages to the double insulation system possibly causing electrical shock or electrocution. Any repairs requiring disassembly of your tool requires safety testing and should only be performed by a Ryobi Authorized Service Center. For the service center nearest you call 1-800-525-2579.

* STANDARD HARDWARE ITEM – MAY BE PURCHASED LOCALLY

RYOBI 7-1/4 in. LASER CIRCULAR SAW – MODEL NO. CSB133L

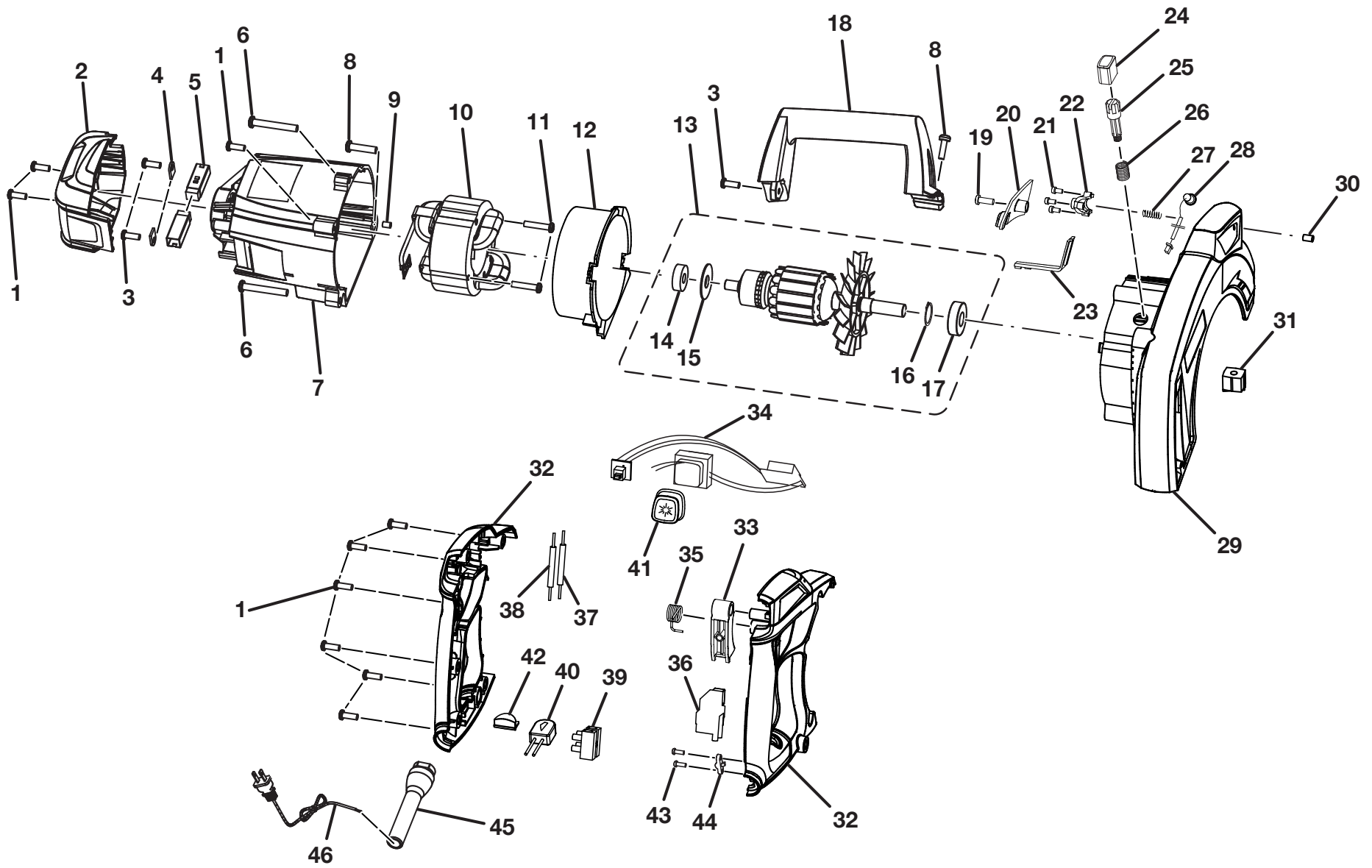


FIGURE B

RYOBI 7-1/4 in. LASER CIRCULAR SAW – MODEL NO. CSB133L

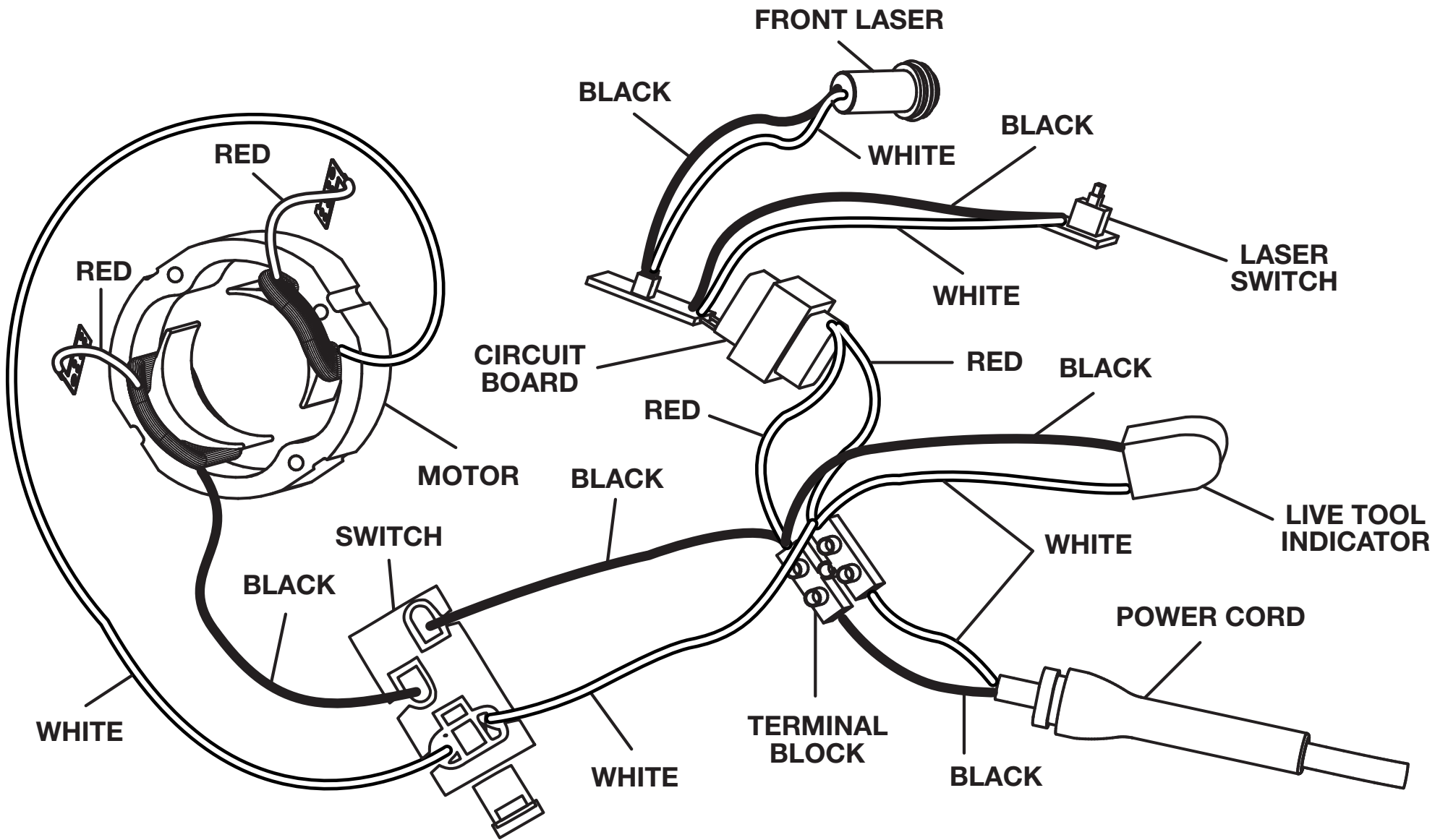
The model number will be found on a plate attached to the motor housing. Always mention the model number in all correspondence regarding your **CIRCULAR SAW** or when ordering repair parts.

PARTS LIST (FIGURE B)

KEY NO.	PART NUMBER	DESCRIPTION	QTY	KEY NO.	PART NUMBER	DESCRIPTION	QTY
1	660208052	* SCREW (M4 x 16 mm).....	9	24	516870001	SPINDLE LOCK BUTTON.....	1
2	516878001	END COVER	1	25	550421007	SPINDLE LOCK SHAFT.....	1
3	660140002	* SCREW (8-16 x 12.7 mm).....	3	26	680773001	SPRING	1
4	630801001	CLAMP	2	27	672017001	SPRING	1
5	290075001	BRUSH TUBE ASSEMBLY	2	28	302836001	LASER ASSEMBLY.....	1
6	660311005	* SCREW (10-24 x 1-1/8 in.)	2	29	200678001	UPPER BLADE GUARD.....	1
7	516877001	MOTOR HOUSING	1	30	660859002	* SCREW (M4 x 8 mm).....	1
8	660311004	* SCREW (10-24 x 3/4 in.).....	2	31	690427002	RACK SHAFT LOCK.....	1
9	550339001	RUBBER PLUG	1	32	200679001	HANDLE ASSEMBLY.....	1
10	741158001	FIELD ASSEMBLY	1	33	5532203	TRIGGER	1
11	660101002	* SCREW (M0.170 x 1.875 in.)	2	34	280095002	CIRCUIT BOARD ASSEMBLY	1
12	551054001	BAFFLE	1	35	680800003	SPRING	1
13	200671001	ARMATURE ASSEMBLY (INC. KEY NOS. 14-17)..	1	36	7621301	SWITCH.....	1
14	680966004	BALL BEARING (608ZZ)	1	37	770407051	LEAD (BLACK)	1
15	681037001	CUPPED WASHER.....	1	38	770408020	LEAD (WHITE).....	1
16	680336001	RETAINING RING	1	39	690331002	TERMINAL BLOCK.....	1
17	681053001	BALL BEARING (CW6001)	1	40	290251012	LIVE INDICATOR.....	1
18	516879001	FRONT HANDLE.....	1	41	516872001	LASER SWITCH.....	1
19	660312001	* SCREW (8-32 x 3/8 in.).....	1	42	516915001	INDICATOR COVER.....	1
20	340875001	LASER HOUSING COVER.....	1	43	6620613	* SCREW (M3.5 x 10 mm).....	2
21	660559001	* SCREW (M3.5 x 10 mm).....	3	44	6933702	CORD CLAMP	1
22	517010001	LASER HOLDER.....	1	45	5927401	BEND RELIEF	1
23	340876001	LASER WIRE COVER	1	46	730372011	POWER CORD	1

⚠ WARNING: Improper repair of a double insulated tool can result in damages to the double insulation system possibly causing electrical shock or electrocution. Any repairs requiring disassembly of your tool requires safety testing and should only be performed by a Ryobi Authorized Service Center. For the service center nearest you call 1-800-525-2579.

* STANDARD HARDWARE ITEM – MAY BE PURCHASED LOCALLY



WIRING DIAGRAM