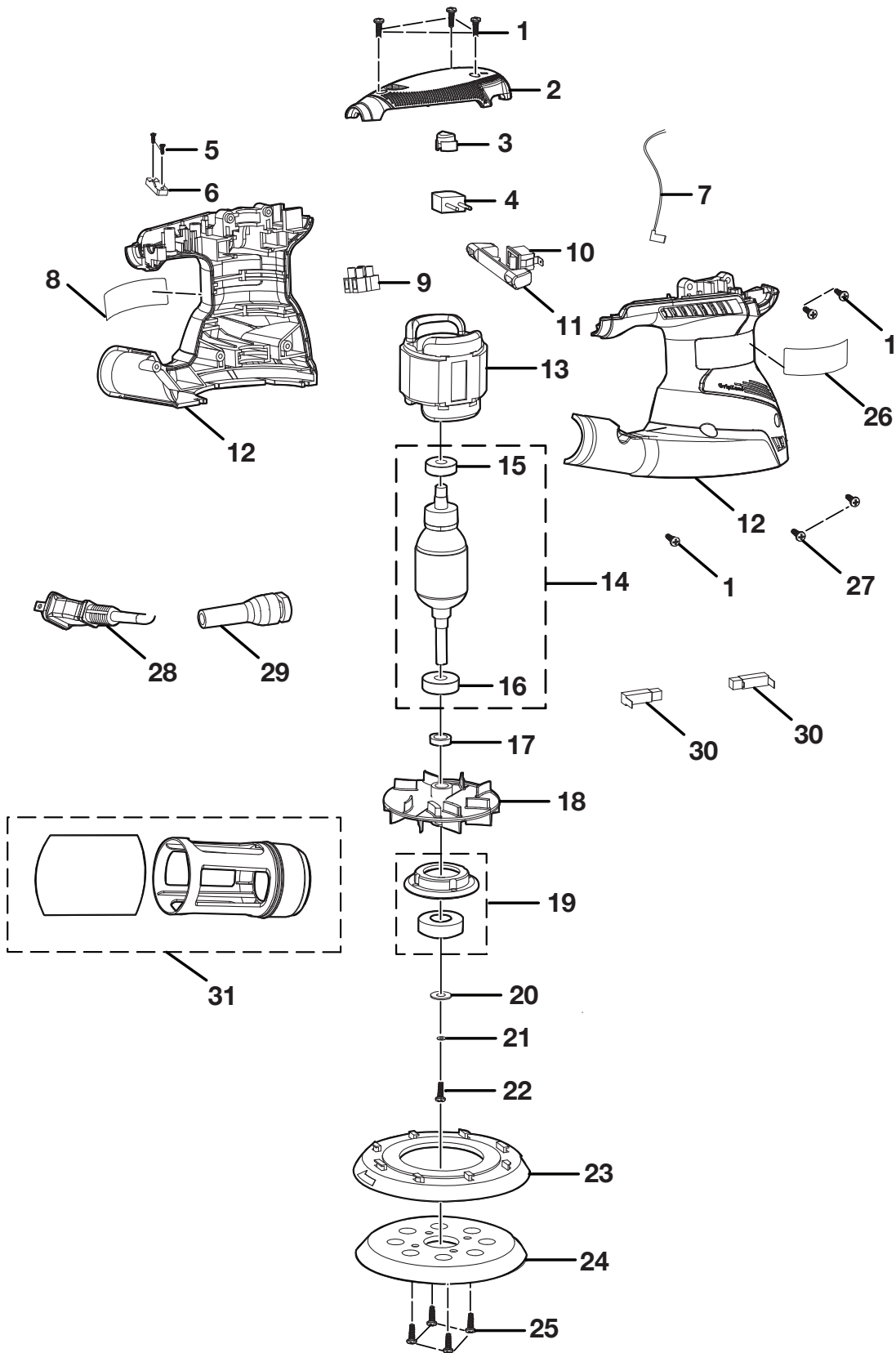


**RYOBI
RANDOM ORBIT SANDER
MODEL NO. RS290
REPAIR SHEET**

RYOBI RANDOM ORBIT SANDER - MODEL NUMBER RS290



NOTE: To avoid the possibility of alteration or damage to this product, service should be performed by your nearest Ryobi Authorized Service Center. For the service center nearest you call 1-800-525-2579.

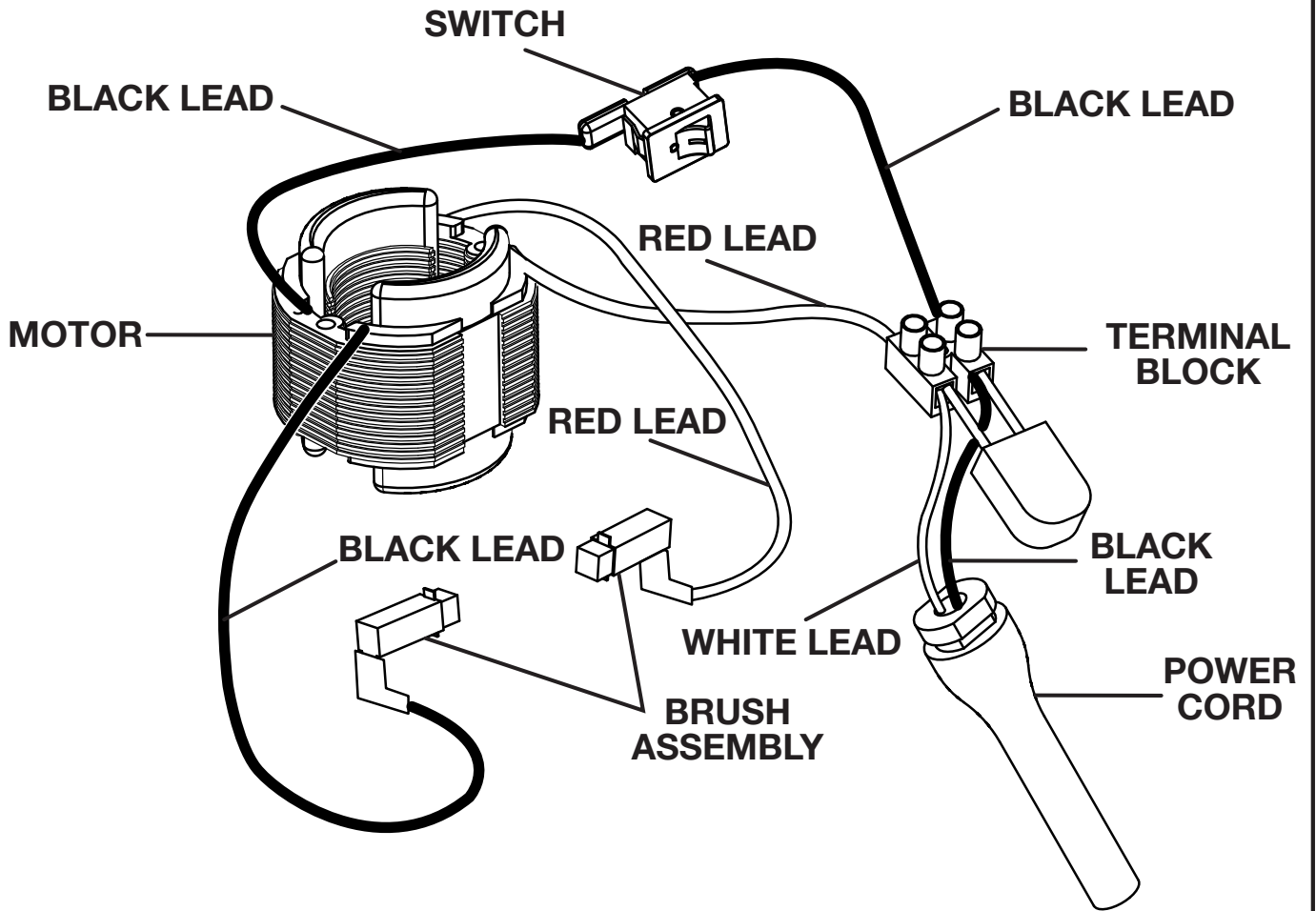
RYOBI RANDOM ORBIT SANDER – MODEL NUMBER RS290

The model number will be found on a plate attached to the motor housing. Always mention the model number in all correspondence regarding your **RANDOM ORBIT SANDER** or when ordering repair parts.

PARTS LIST

Key No.	Part Number	Description	Qty.
1	030155001002	SCREW (M4 x 16 mm)	6
2	039143005004	TOP CAP W/OVERMOLD	1
3	039143005005	LIVE INDICATOR COVER	1
4	039065005017	LIVE INDICATOR	1
5	030155001024	SCREW (M4 x 14 mm)	2
6	030155001021	CORD CLAMP	1
7	039143005006	LEAD W/TERMINAL	1
8	039143005011	DATA LABEL	1
9	039065005016	TERMINAL BLOCK	1
10	030155001035	SWITCH	1
11	039143005003	SWITCH TRIGGER	1
12	039143005001	MOTOR HOUSING ASSEMBLY	1
13	030157001009	FIELD ASSEMBLY	1
14	030157001010	ARMATURE ASSEMBLY (INC. KEY NOS. 15 AND16)	1
15	039143005024	BEARING (608Z)	1
16	039143005026	BEARING (629Z)	1
17	030157001011	SLEEVE	1
18	030157001012	FAN	1
19	030157001013	BEARING CAP ASSEMBLY	1
20	030157001014	WASHER	1
21	030157001015	SPRING WASHER	1
22	030157001016	* SCREW (M4 x 10 mm)	1
23	030157001017	BRAKE	1
24	030157001018	BACKING PAD	1
25	030157001019	SCREW (M5 x 6 mm)	4
26	039143005010	LOGO LABEL	1
27	030155001016	SCREW (M4 x 20 mm)	2
28	039065005013	POWER CORD	1
29	039065005014	BEND RELIEF	1
30	039143005002	BRUSH ASSEMBLY	2
31	039065005022	DUST BAG ASSEMBLY	1
	987000172	OPERATOR'S MANUAL (039143005015)	
	09-06-07		
	(REV:00)		

* Standard Hardware Item – May Be Purchased Locally



WIRING DIAGRAM