

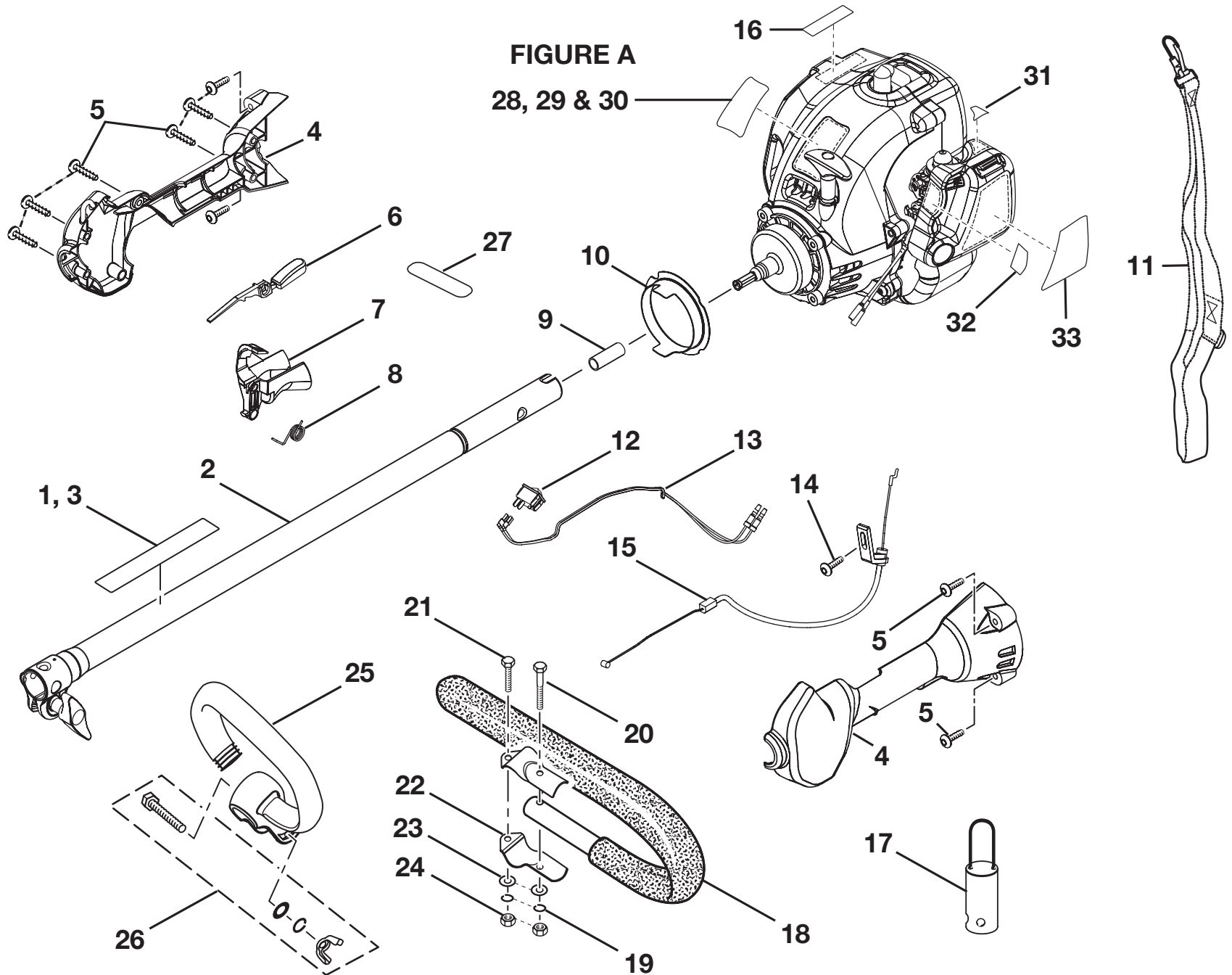


**30cc STRING TRIMMERS  
30cc BRUSHCUTTERS  
REPAIR SHEET**

**MODEL NUMBERS**

**RY30000, RY30000A, RY30000B,  
RY30002, RY30002A, RY30002B,  
RY30004, RY30004A, RY30004B, RY30004D  
RY30021A, RY30041A  
RY30061A**

**RYOBI 30CC STRING TRIMMERS AND BRUSHCUTTERS MODEL NUMBERS – RY30000, RY30000A, RY30000B, RY30002, RY30002A, RY30002B, RY30004, RY30004A, RY30004B, RY30004D, RY30021A, RY30041A, AND RY30061A**

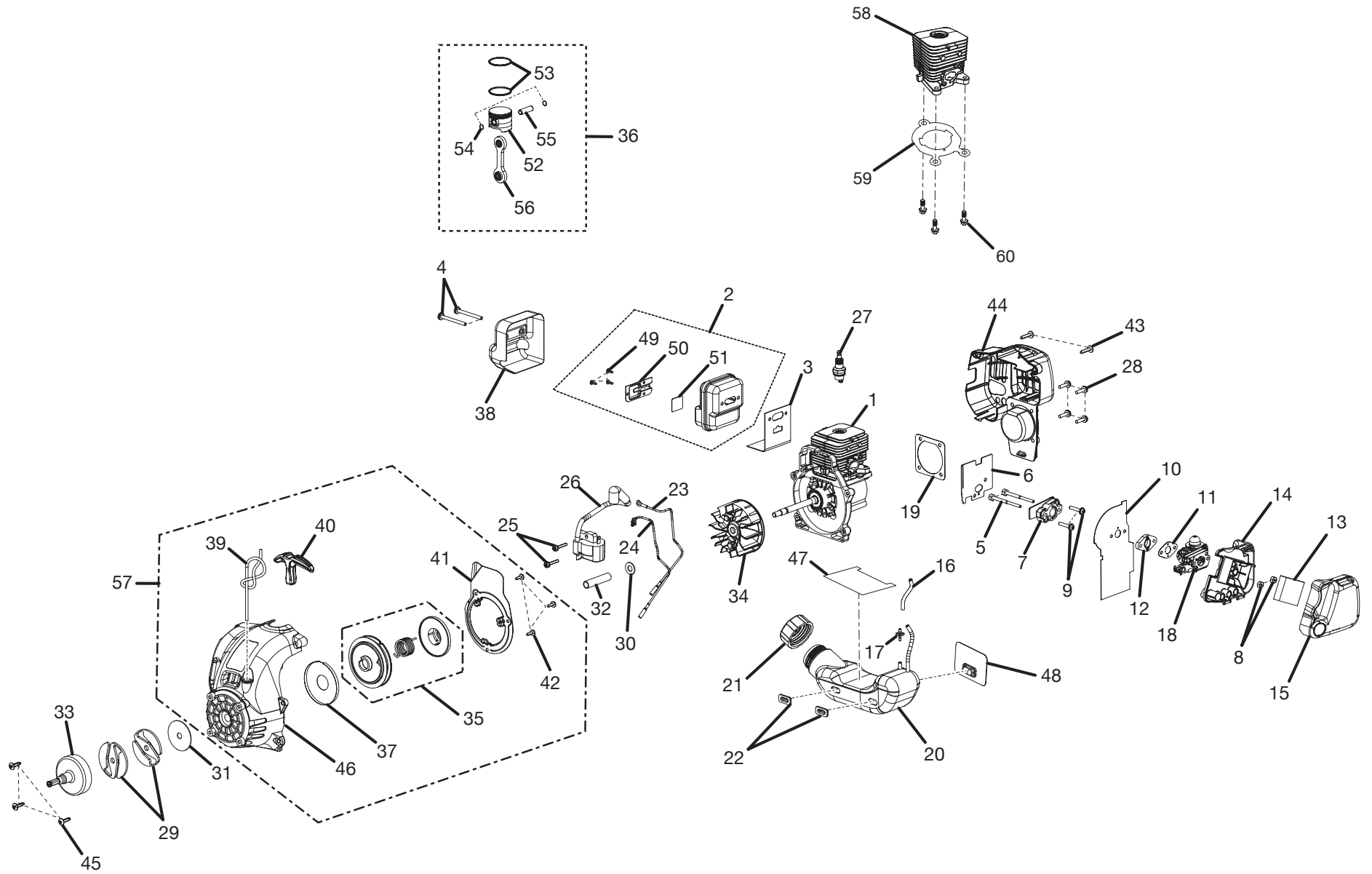


**RYOBI 30CC STRING TRIMMERS AND BRUSHCUTTERS MODEL NUMBERS – RY30000, RY30000A, RY30000B, RY30002, RY30002A, RY30002B, RY30004, RY30004A, RY30004B, RY30004D, RY30021A, RY30041A, AND RY30061A**

**FIGURE A PARTS LIST**

| <b>KEY NO.</b> | <b>PART NUMBER</b> | <b>DESCRIPTION</b>                  | <b>QTY.</b> | <b>KEY NO.</b> | <b>PART NUMBER</b> | <b>DESCRIPTION</b>                     | <b>QTY.</b> |
|----------------|--------------------|-------------------------------------|-------------|----------------|--------------------|--|-------------|
| 1              | 984032002          | WARNING DECAL (CS and SS) . . . . . | 1           | 18             | A08130             | “J” HANDLE AND GRIP (BC) . . . . .     | 1           |
| 2              | 985383001          | BOOM ASSEMBLY (CS and SS) . . . . . | 1           | 19             | 83009              | LOCK WASHER (BC) . . . . .             | 2           |
|                | 985384001          | BOOM ASSEMBLY, UPPER (BC) . . . . . | 1           | 20             | 82278              | HEX HEAD BOLT (BC) . . . . .           | 1           |
| 3              | 984102002          | WARNING DECAL (BC) . . . . .        | 1           | 21             | 82496              | SCREW (BC) . . . . .                   | 1           |
| 4              | 985382001          | HANDLE ASSEMBLY (W/OUT SCREWS) .    | 1           | 22             | 00422              | HANDLE BAR CLAMP (BC) . . . . .        | 2           |
| 5              | 82589              | HANDLE SCREW . . . . .              | 9           | 23             | 84004              | WASHER (BC) . . . . .                  | 2           |
| 6              | PS06258            | TRIGGER LOCK . . . . .              | 1           | 24             | 81242              | HEX NUT (BC) . . . . .                 | 2           |
| 7              | PS06259            | TRIGGER . . . . .                   | 1           | 25             | 06542A             | “D” HANDLE (CS and SS) . . . . .       | 1           |
| 8              | PS01718            | SPRING . . . . .                    | 1           | 26             | PA00249            | FASTENER PARTS KIT (CS and SS) . . . . | 1           |
| 9              | 986493001          | SPRING . . . . .                    | 1           | 27             | 984240001          | ON/OFF LABEL . . . . .                 | 1           |
| 10             | 985835001          | RING GUARD . . . . .                | 1           | 28             | 985162001          | MODEL LABEL (CS30) . . . . .           | 1           |
| 11             | 944701             | SHOULDER STRAP (BC) . . . . .       | 1           | 29             | 985163001          | MODEL LABEL (SS30) . . . . .           | 1           |
| 12             | PS02764            | SWITCH (MOMENTARY CONTACT) . . . .  | 1           | 30             | 985164001          | MODEL LABEL (BC30) . . . . .           | 1           |
| 13             | PA00387            | LEAD ASSEMBLY . . . . .             | 1           | 31             | 985595001          | PRIMER LABEL . . . . .                 | 1           |
| 14             | 82538              | SCREW . . . . .                     | 1           | 32             | 985593001          | CHOKE LABEL . . . . .                  | 1           |
| 15             | PS01177            | THROTTLE CABLE . . . . .            | 1           | 33             | 985592001          | STARTING LABEL . . . . .               | 1           |
| 16             | 985157001          | LOGO PLATE . . . . .                | 1           |                | 983000401          | OPERATOR’S MANUAL                      |             |
| 17             | PS02155            | HANGER CAP . . . . .                | 1           |                | 983000462          | CUSTOMER SHEET                         |             |
|                |                    |                                     |             |                | 983000401R         | REPAIR SHEET (REV:04)                  |             |
|                |                    |                                     |             |                | 05-03-06           |  |             |

**RYOBI 30CC STRING TRIMMERS AND BRUSHCUTTERS MODEL NUMBERS – RY30000, RY30000A, RY30000B, RY30002, RY30002A, RY30002B, RY30004, RY30004A, RY30004B, RY30004D, RY30021A, RY30041A, AND RY30061A**



**RYOBI 30CC STRING TRIMMERS AND BRUSHCUTTERS MODEL NUMBERS – RY30000, RY30000A, RY30000B, RY30002, RY30002A, RY30002B, RY30004, RY30004A, RY30004B, RY30004D, RY30021A, RY30041A, AND RY30061A**

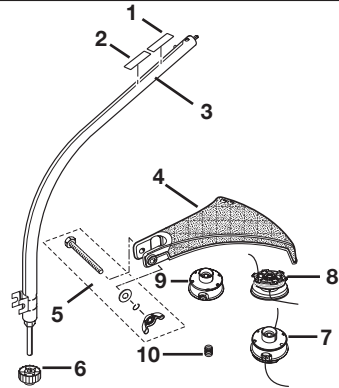
| KEY NO. | PART NUMBER | DESCRIPTION  | QTY. | KEY NO. | PART NUMBER | DESCRIPTION                                  | QTY. |
|---------|-------------|--|------|---------|-------------|--|------|
| 1       | 985873001   | SHORT BLOCK ASSEMBLY .....                           | 1    | 31      | 98929A      | WASHER.....                                  | 1    |
| 2       | 308092008   | MUFFLER ASSEMBLY .....                               | 1    | 32      | PS05267     | SPACER.....                                  | 1    |
| 3       | 984760001   | MUFFLER GASKET .....                                 | 1    | 33      | PA01613     | DRUM & CONNECTOR .....                       | 1    |
| 4       | 88083       | * SCREW (TORX HD. SEMS).....                         | 2    | 34      | 986153001   | ROTOR PAWL ASSEMBLY .....                    | 1    |
| 5       | 660346002   | BOLTS.....   | 2    | 35      | 308374001   | STARTER PULLEY ASSEMBLY .....                | 1    |
| 6       | 984762001   | HEAT DAM GASKET .....                                | 1    | 36      | 985872001   | PISTON ASSEMBLY (INCL. KEY NO. 54-58) .      | 1    |
| 7       | 98768A      | HEAT DAM .....                                       | 1    | 37      | A98773A     | SPRING & CONTAINER .....                     | 1    |
| 8       | 81208       | LOCK NUT HX 10-24.....                               | 2    | 38      | 984743001   | HEAT SHEILD (CAT.).....                      | 1    |
| 9       | 093221      | * SCREW (TORX PAN HD. SEMS).....                     | 2    | 39      | 9789902     | STARTER ROPE.....                            | 1    |
| 10      | 9074002     | CARBURETOR GASKET .....                              | 1    | 40      | PS06114     | STARTER GRIP .....                           | 1    |
| 11      | 98766A      | CARBURETOR GASKET .....                              | 1    | 41      | 984837001   | BAFFLE.....                                  | 1    |
| 12      | 5945603     | SPACER.....  | 1    | 42      | 82543       | * SCREW (8-16 X .5 in. THD. FORM. ).....     | 3    |
| 13      | 98760       | FILTER ( ** ITEM NO. AP04107).....                   | 1    | 43      | 82537       | * SCREW (10-14 X .875 in. THD. FORM. ) ..... | 2    |
| 14      | PS02113     | BOX AIR FILTER CONEHEAD.....                         | 1    | 44      | 984829001   | REAR HOUSING.....                            | 1    |
| 15      | PS02309     | COVER AIR BOX.....                                   | 1    | 45      | 82538       | SCREW (ST-155).....                          | 3    |
| 16      | 0143910     | TUBING, RUBBER (63.5 MM).....                        | 1    | 46      | PA01641     | STARTER HOUSING W/EYELET .....               | 1    |
| 17      | 985304001   | FITTING, INLINE FUEL .....                           | 1    | 47      | 900999002   | TANK INSULATION GASKET .....                 | 1    |
| 18      | 985624001   | CARBURETOR, ZAMA .....                               | 1    | 48      | 985767001   | BUMPER.....                                  | 1    |
| 19      | 06443A      | GASKET, C/C COVER.....                               | 1    | 49      | 984759001   | * SCREW (6-20 X .25 in. TRI-LOBULAR).....    | 3    |
| 20      | PA01624     | FUEL TANK W/CAP ASSEMBLY .....                       | 1    | 50      | 985596001   | OUTLET TUBE.....                             | 1    |
| 21      | 985210001   | FUEL CAP ASSEMBLY ( **ITEM NO. AP04108) .            | 1    | 51      | 984753001   | SCREEN.....                                  | 1    |
| 22      | 98792       | BUMPER.....  | 2    | 52      | 985871001   | PISTON W/PINS .....                          | 1    |
| 23      | A06964      | LEAD W/TERMINALS .....                               | 1    | 53      | 03179       | PISTON RING 30CC .....                       | 2    |
| 24      | A06963      | LEAD .....   | 1    | 54      | 65261       | RETAINING RING.....                          | 2    |
| 25      | 82540       | * SCREW (8-32 X 1 in. THREAD FORMING).....           | 2    | 55      | 00238A      | PISTON PIN .....                             | 1    |
| 26      | 850080001   | IGNITION MODULE (W/ 3 SEC. KILL) .....               | 1    | 56      | PA00190     | CONNECTING ROD ASSEMBLY .....                | 1    |
| 27      | PS02227     | SPARK PLUG<br>( **ITEM NO. RCJ6Y OR NGK BPMR7A)..... | 1    | 57      | 985544001   | COMPLETE STARTER ASSEMBLY .....              | 1    |
| 28      | 984812001   | * SCREW (10-24 X .75 in. PAN HD. TORX).....          | 4    | 58      | 985524002   | CYLINDER, 30CC .....                         | 1    |
| 29      | 00242       | CLUTCH .....   | 2    | 59      | 985259001   | CYLINDER GASKET .....                        | 1    |
| 30      | PS05268     | WASHER.....  | 1    | 60      | PS02807     | SCREW (12-24 X 5/8 in.).....                 | 3    |

\* STANDARD HARDWARE ITEM – MAY BE PURCHASED LOCALLY

\*\* STOCK ITEM – MAY BE SECURED THROUGH THE HARDWARE DEPARTMENT OF MOST HOME DEPOT STORES

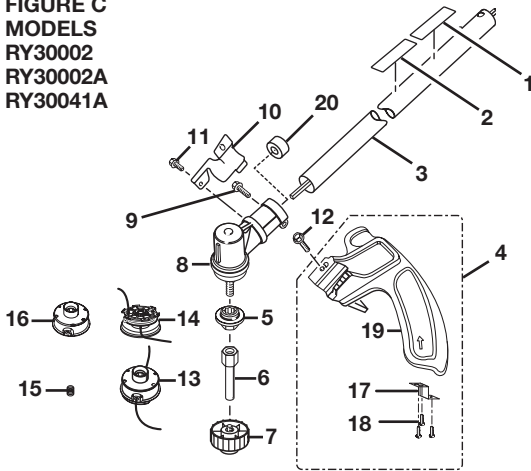
**RYOBI 30CC STRING TRIMMERS AND BRUSHCUTTERS MODEL NUMBERS – RY30000, RY30000A, RY30000B, RY30002, RY30002A, RY30002B, RY30004, RY30004A, RY30004B, RY30004D, RY30021A, RY30041A, AND RY30061A**

**FIGURE B  
MODELS  
RY30000  
RY30000A  
RY30021A**



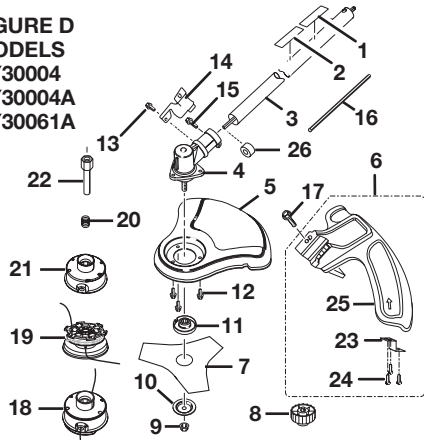
| KEY NO. | PART NUMBER | DESCRIPTION  | QTY. |
|---------|-------------|--|------|
| 1       | 985165001   | EXPAND-IT LABEL .....                              | 1    |
| 2       | 984032002   | WARNING DECAL. ....                                | 1    |
| 3       | 985569003   | CURVED SHAFT ASSEMBLY .....                        | 1    |
| 4       | 985623002   | GRASS DEFLECTOR .....                              | 1    |
| 5       | PA00249     | FASTENER PARTS KIT .....                           | 1    |
| 6       | A98866A     | SPOOL RETAINER (RHT) (**ITEM NUMBER A98866A) ..... | 1    |
| 7       | AH04102     | COMPLETE STRING HEAD(.080 in.) .....               | 1    |
| 8       | PA0387A     | SPOOL AND STRING (.080 in.) .....                  | 1    |
| 9       | A98231A     | HOUSING AND EYELET .....                           | 1    |
| 10      | 06713       | SPRING. ....                                       | 1    |

**FIGURE C  
MODELS  
RY30002  
RY30002A  
RY30041A**



| KEY NO. | PART NUMBER | DESCRIPTION                       | QTY. |
|---------|-------------|-----------------------------------|------|
| 1       | 985165001   | EXPAND-IT LABEL .....             | 1    |
| 2       | 984032002   | WARNING DECAL. ....               | 1    |
| 3       | 985391001   | STRAIGHT SHAFT ASSEMBLY. ....     | 1    |
| 4       | 984443004   | GRASS DEFLECTOR ASSEMBLY .....    | 1    |
| 5       | 984931001   | WASHER. ....                      | 1    |
| 6       | PS04438     | SHAFT ADAPTER .....               | 1    |
| 7       | A97910A     | SPOOL RETAINER (LHT). ....        | 1    |
| 8       | 984244001   | GEAR HEAD .....                   | 1    |
| 9       | 983381007   | SCREW (1/4-20 X 1-1/4 in.) .....  | 1    |
| 10      | PS04420     | CLAMP .....                       | 1    |
| 11      | 983774003   | SCREW (10-24 X 5/8 in.) .....     | 1    |
| 12      | 983379078   | SCREW (1/4-20 X 1-1/4 in.) .....  | 1    |
| 13      | AP04101     | STRINGHEAD .....                  | 1    |
| 14      | 984238001   | SPOOL AND STRING (.095 in.) ..... | 1    |
| 15      | 06713       | SPRING. ....                      | 1    |
| 16      | A98231A     | HOUSING W/EYELET .....            | 1    |
| 17      | PS04379     | BLADE .....                       | 1    |
| 18      | 82543       | SCREW, THREAD FORMING .....       | 3    |
| 19      | 984099001   | GRASS DEFLECTOR .....             | 1    |
| 20      | 985625001   | SPACER .....                      | 1    |

**FIGURE D  
MODELS  
RY30004  
RY30004A  
RY30061A**



| KEY NO. | PART NUMBER | DESCRIPTION                      | QTY. |
|---------|-------------|----------------------------------|------|
| 1       | 985165001   | EXPAND-IT LABEL .....            | 1    |
| 2       | 984102002   | BRUSHCUTTER SAFETY LABEL.....    | 1    |
| 3       | 985390001   | STRAIGHT SHAFT ASSEMBLY .....    | 1    |
| 4       | PA01364     | GEAR HEAD .....                  | 1    |
| 5       | PS03538     | BRUSHCUTTER GUARD.....           | 1    |
| 6       | 984443004   | GRASS DEFLECTOR ASSEMBLY .....   | 1    |
| 7       | 06297       | TRI-ARC BLADE .....              | 1    |
| 8       | A97910A     | SPOOL RETAINER (LHT) .....       | 1    |
| 9       | 04277       | LOCK NUT .....                   | 1    |
| 10      | 04409       | CUPPED WASHER.....               | 1    |
| 11      | 04168A      | FLANGED WASHER .....             | 1    |
| 12      | 88049       | SCREW (10-24 X 1/2 in.) .....    | 3    |
| 13      | 983774003   | SCREW (10-24 X 5/8 in.) .....    | 1    |
| 14      | PS04420     | CLAMP.....                       | 1    |
| 15      | 983381007   | SCREW (1/4-20 X 1-1/4 in.).....  | 1    |
| 16      | 00063       | HOLDING PIN .....                | 1    |
| 17      | 983379078   | SCREW (1/4-2- X 1-1/4 in.).....  | 1    |
| 18      | AP04101     | STRINGHEAD (.095 IN.).....       | 1    |
| 19      | 984238001   | SPOOL AND STRING (.095 in.)..... | 1    |
| 20      | 06713       | SPRING.....                      | 1    |
| 21      | A98231A     | HOUSING AND EYELET .....         | 1    |
| 22      | PS04438     | ADAPTER SHAFT .....              | 1    |
| 23      | PS04379     | BLADE .....                      | 1    |
| 24      | 82543       | SCREW, THREAD FORMING .....      | 3    |
| 25      | 984099001   | GRASS DEFLECTOR.....             | 1    |
| 26      | 985625001   | SPACER .....                     | 1    |