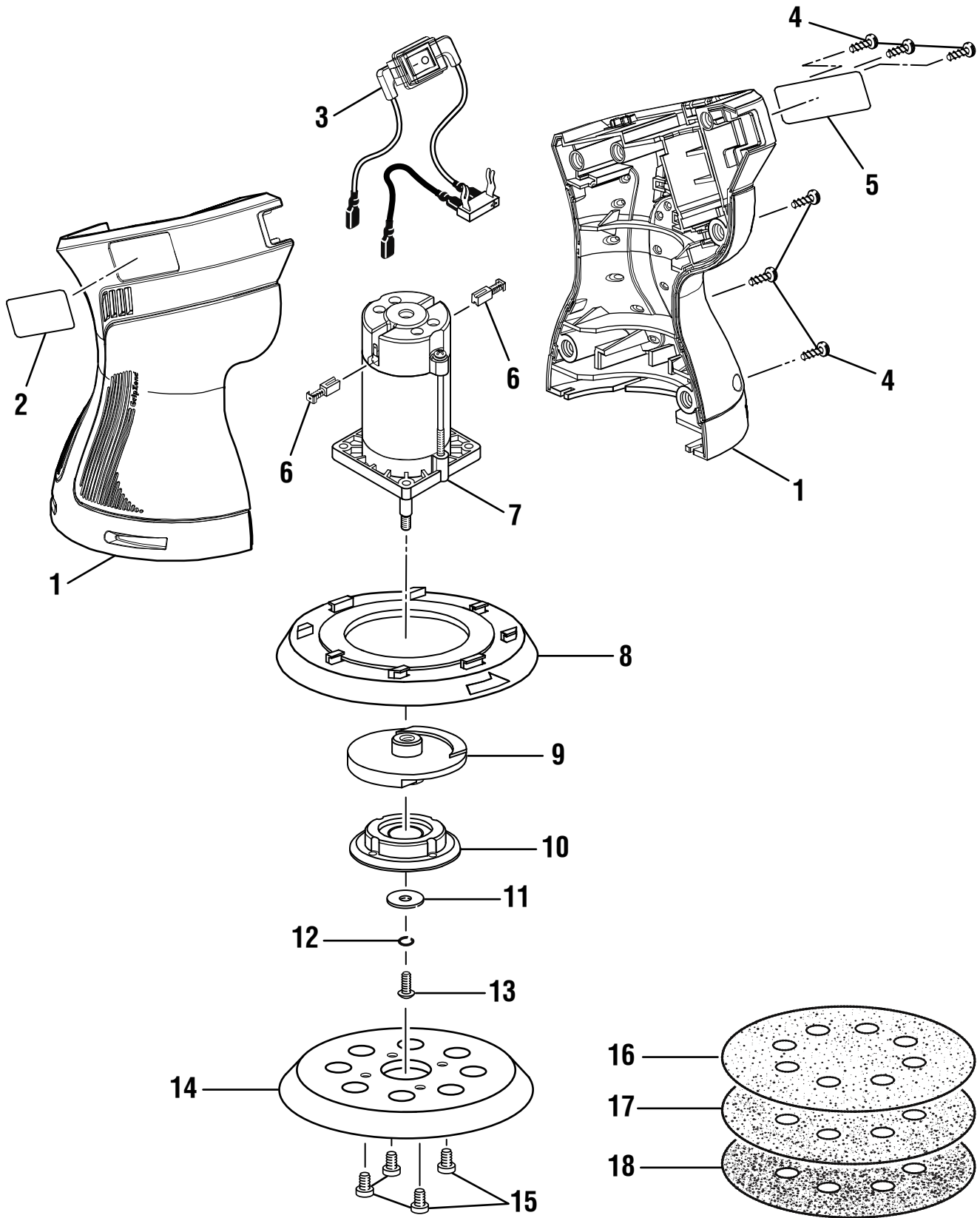


**RYOBI  
18 VOLT SANDER  
MODEL NO. P410  
REPAIR SHEET**

RYOBI 18 VOLT SANDER – MODEL NUMBER P410



## RYOBI 18 VOLT SANDER – MODEL NUMBER P410

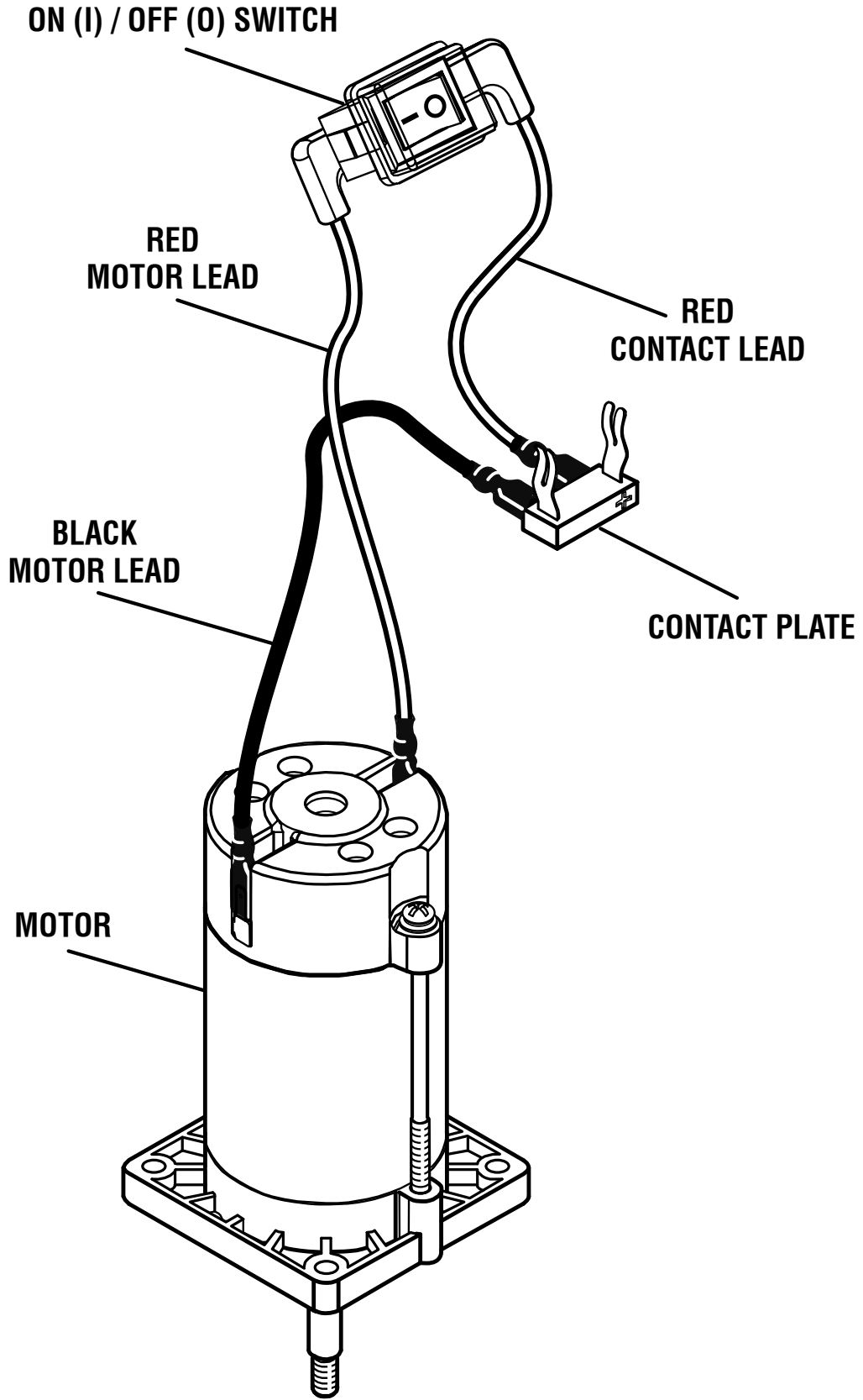
The model number will be found on a plate attached to the motor housing. Always mention the model number in all correspondence regarding your **SANDER** or when ordering repair parts.

### PARTS LIST

KEY NO.	PART NUMBER	DESCRIPTION	QTY.
1	019284001011	Housing Assembly .....	1
2	019284001013	Logo Label .....	1
3	019284001014	Switch Assembly .....	1
4	019284001010	Screw (M4 X 16 mm) .....	6
5	019284001012	Data Label .....	1
6	019284001036	Brush Assembly .....	2
7	019284001009	Motor Assembly .....	1
8	019284001008	Brake .....	1
9	019284001007	Counterbalance .....	1
10	019284001035	Bearing Cap with Bearing .....	1
11	019284001004	Washer .....	1
12	019284001034	* Lock Washer .....	1
13	019284001003	* Screw (M5 X 8 mm) .....	1
14	019284001002	Pad .....	1
15	019284001001	* Screw (M5 X 6 mm) .....	4
16	019284001017	Sanding Disc #240 .....	1
17	019284001016	Sanding Disc #120 .....	1
18	019284001015	Sanding Disc #60 .....	1
	987000005	Operator's Manual (019284001022)	
	7-31-06 (REV:01)		

\* Standard Hardware Item – May Be Purchased Locally

**RYOBI 18 VOLT SANDER – MODEL NUMBER P410**



**WIRING DIAGRAM**