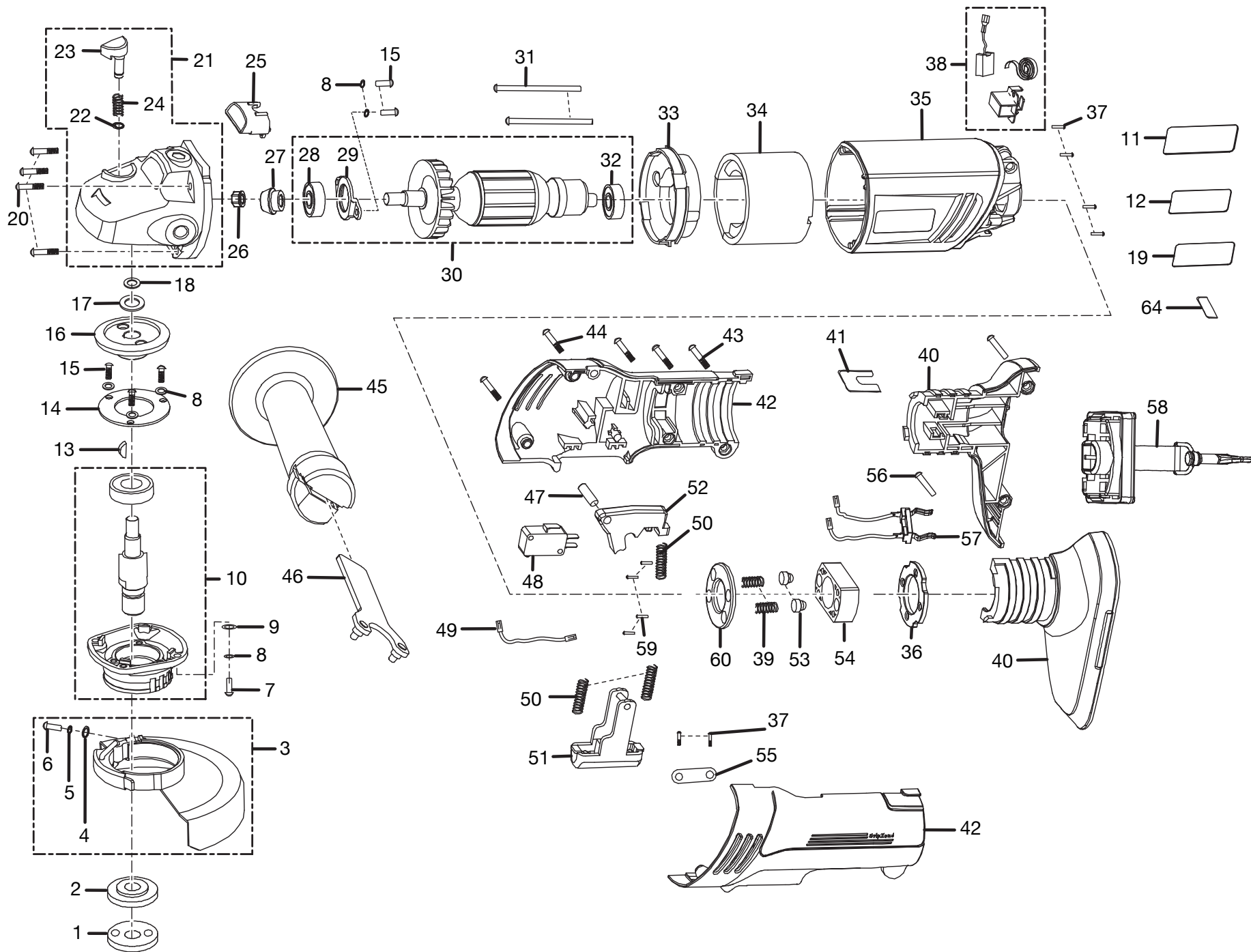


**RYOBI  
18 VOLT ANGLE GRINDER  
MODEL NO. P420  
REPAIR SHEET**

# RYOBI 18V ANGLE GRINDER – MODEL NUMBER P420



## RYOBI 18V ANGLE GRINDER – MODEL NUMBER P420

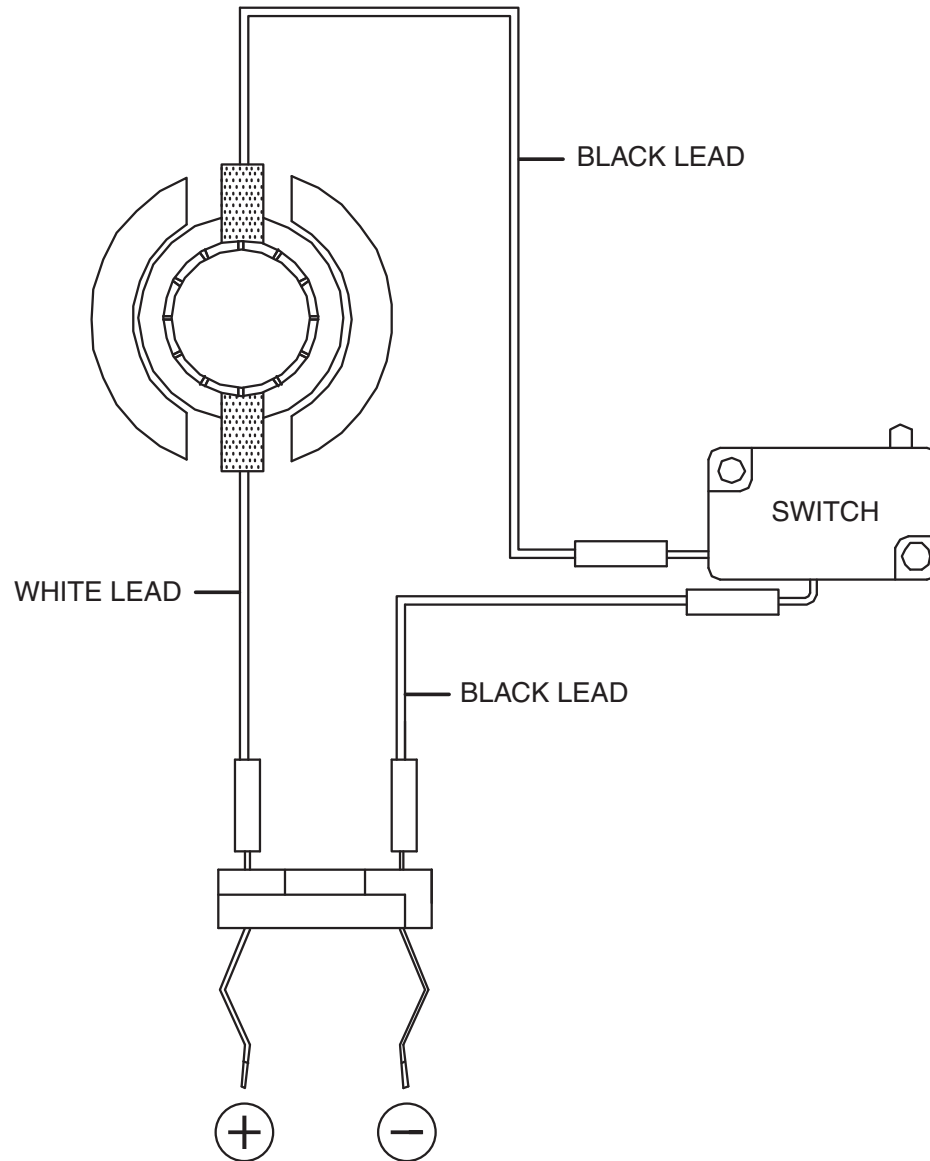
The model number will be found on a plate attached to the motor housing. Always mention the model number in all correspondence regarding your **ANGLE GRINDER** or when ordering repair parts.

### PARTS LIST

KEY NO.	PART NUMBER	DESCRIPTION	QTY	KEY NO.	PART NUMBER	DESCRIPTION	QTY
1	019012001001	CLAMP NUT .....	1	33	019012001033	FAN BUFFER .....	1
2	019012001002	DISK FLANGE.....	1	34	019012001034	FIELD .....	1
3	019012001072	WHEEL GUARD ASSY. (INC.KEY NOS. 4-6) ...	1	35	019012001035	MOTOR HOUSING.....	1
4	019012001004	WASHER.....	1	36	019012001056	BACK PLATE .....	1
5	019012001005	WASHER.....	1	37	019012001037	* SCREW (M2.9 X 9.5 mm) .....	6
6	019012001006	* SCREW (M5 X 16 mm) .....	1	38	019012001093	BRUSH HOLDER ASSEMBLY .....	2
7	019012001007	* SCREW (M4 X 14 mm) .....	4	39	019012001061	SPRING.....	2
8	019012001008	WASHER.....	9	40	019012001095	FOOT ASSEMBLY .....	1
9	019012001009	WASHER.....	4	41	019012001041	C-RING.....	1
10	019012001090	GEAR CASE ASSEMBLY.....	1	42	019012001094	HANDLE ASSEMBLY .....	1
11	019012001067	DATA LABEL.....	1	43	019012001043	* SCREW (M4.2 X 13 mm) .....	1
12	019012001068	LOGO LABEL.....	1	44	019012001044	* SCREW (M4.2 X 32 mm) .....	2
13	019012001013	WOODRUFF KEY .....	1	45	019012001045	AUXILLARY HANDLE.....	1
14	019012001014	BEARING PLATE .....	1	46	019012001046	WRENCH .....	1
15	019012001015	* SCREW (M4 X 10 mm) .....	5	47	019012001047	PIN (B5 X 25) .....	1
16	019012001016	GEAR .....	1	48	019012001048	SWITCH .....	1
17	019012001017	WASHER.....	1	49	019012001066	LEAD .....	1
18	019012001018	C-RING.....	1	50	019012001050	SPRING.....	3
19	019012001069	WARNING LABEL .....	1	51	019012001097	TRIGGER ASSEMBLY .....	1
20	019012001020	* SCREW (M3.8 X 70 mm).....	4	52	019012001053	LOCKOFF TRIGGER.....	1
21	019012001091	GEAR HOUSING ASSEMBLY.....	1	53	019012001054	STEEL BALL .....	2
22	019012001022	RING.....	1	54	019012001055	POSITION HOLDER .....	1
23	019012001023	SPINDLE BUTTON.....	1	55	019012001062	PRESSURE PLATE .....	1
24	019012001024	SPRING.....	1	56	019012001057	* SCREW (M4.2 X 16 mm) .....	4
25	019012001025	VENT COVER .....	1	57	019012001096	CONTACT PLATE HOLDER ASSEMBLY ...	1
26	019012001026	NUT (M6).....	1	58	200292003	LANYARD .....	1
27	019012001027	GEAR .....	1	59	019012001059	* SCREW (M2.9 X 9.5 mm) .....	4
28	019012001028	BALL BEARING (609Z).....	1	60	019012001060	FRONT PLATE .....	1
29	019012001029	BEARING PLATE .....	1		019012001085	GRINDING WHEEL (NOT SHOWN) .....	1
30	019012001092	ARMATURE ASSEMBLY .....	1		983000984	OPERATOR'S MANUAL	
31	019012001031	SCREW (M4.2 X 60 mm) .....	2		(REV:00)		
32	019012001032	BALL BEARING (627Z).....	1		07-31-06		

\* STANDARD HARDWARE ITEM – MAY BE PURCHASED LOCALLY

RYOBI 18V ANGLE GRINDER – MODEL NUMBER P420



**WIRING DIAGRAM**