

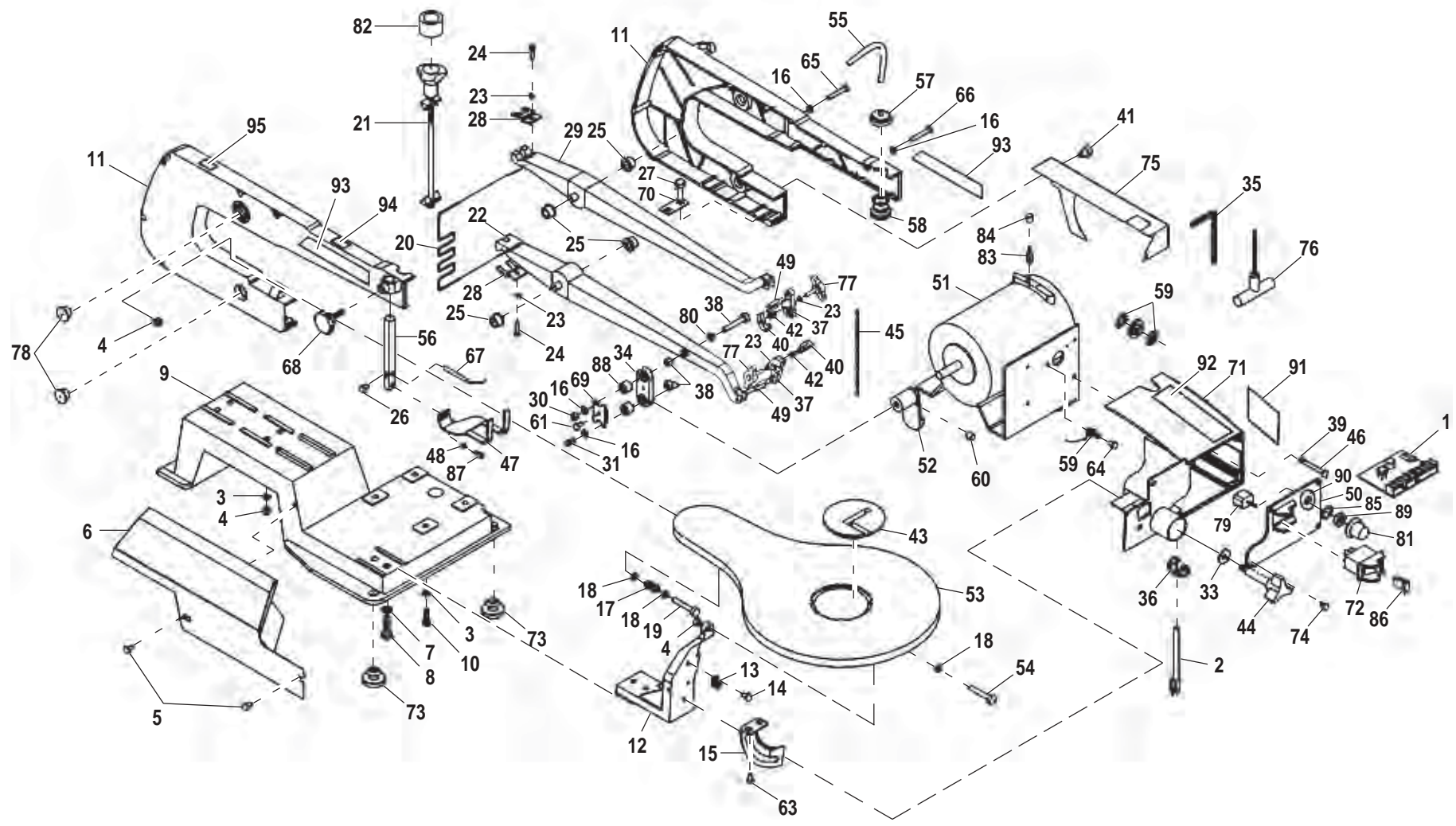
**RYOBI**

**16 in. (406 mm) SCROLL SAW**

**MODEL NO. SC164VS**

**REPAIR SHEET**

# RYOBI 16 in. (406 mm) SCROLL SAW – MODEL SC164VS



## RYOBI 16 in. (406 mm) SCROLL SAW – MODEL SC164VS

The model number will be found on a plate attached to the motor housing. Always mention the model number in all correspondence regarding your **Scroll Saw** or when ordering repair parts.

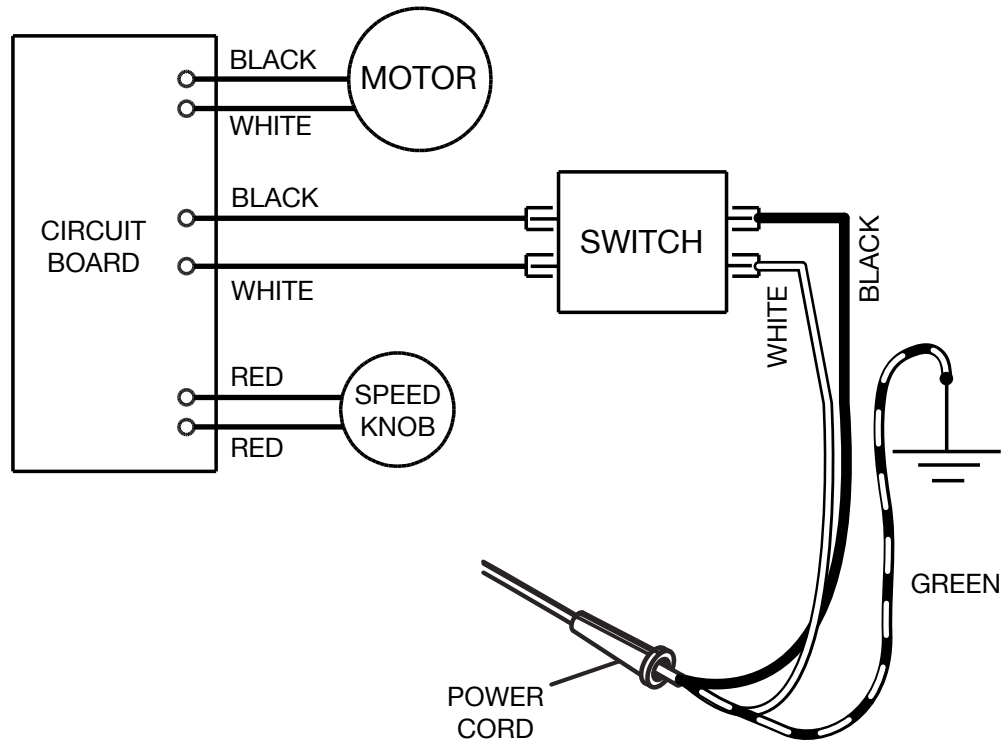
### PARTS LIST

Key No.	Part Number	Description	Qty.	Key No.	Part Number	Description	Qty.
1	S1605007	CIRCUIT BOARD .....	1	24	TSC07002	* SCREW (M4 X 10 mm) .....	2
2	S1605004A	POWER CORD .....	1	25	S1601003	OIL BUSHING .....	4
3	TSC11007	* SPRING WASHER (M6) .....	8	26	TSC07010	* SCREW (M5 X 6 mm) .....	1
4	TSC06001	* HEX NUT (M6) .....	6	27	TSC13001	* CARRIAGE BOLT (M6 X 25 mm) .....	4
5	TSC07008	* SCREW (M5 X 10 mm) .....	5	28	S1604004	RETAINER .....	2
6	S1601009F	COVER PLATE .....	1	29	S1602001B1	UPPER ARM .....	1
7	TSC11003	* SPRING WASHER (M8) .....	2	30	TSC06002	* HEX NUT (M5) .....	1
8	TSC05001	* BOLT (M8 X 25 mm) .....	2	31	TSC07003	* SCREW (M5 X 20 mm) .....	1
9	S1601004C	BASE .....	1	32	S1602003	SPACER .....	2
10	TSC05002	* BOLT (M6 X 16 mm) .....	4	33	TSC11006	* LARGE WASHER (M6) .....	1
11	S1601001	HOUSING ASSEMBLY .....	1	34	S16020021	LINK ASSEMBLY .....	1
12	S1601006C	TABLE SUPPORT .....	1	35	TSC04001	* HEX KEY (M4) .....	1
13	S1601012	SCALE INDICATOR .....	1	36	TSC12001	STRAIN RELIEF .....	1
14	TSC07009	* SCREW (M2 X 12 mm) .....	1	37	S1603005B1	BLADE ADAPTER .....	2
15	S1601010	BEVEL SCALE .....	1	38	TSC07004	* SCREW (M5 X 25 mm) .....	1
16	TSC11004	* SPRING WASHER (M5) .....	3	39	TSC11009	* WASHER (M4) .....	4
17	S1601008	SPRING .....	1	40	S1603005B2	CLAMP JAW .....	2
18	TSC11008	* WASHER (M6) .....	3	41	TSC07016	* SCREW (4.2 X 10 mm) .....	1
19	TSC07001	* SCREW (M6 X 40 mm) .....	1	42	S1603005B3	SPRING .....	2
20	S1604005	SPRING .....	1	43	S1603004C	THROAT PLATE .....	1
21	S1604001	BLADE TENSION ASSEMBLY .....	1	44	S1601016A	TABLE LOCK KNOB .....	1
22	S1602001B2	LOWER ARM .....	1	45	S1603003	BLADE .....	2
23	TSC11005	* SPRING WASHER (M4) .....	6	46	TSC07011	* SCREW (M4 X 16 mm) .....	2

**WARNING: Improper repair of a double insulated tool can result in damage to the double insulation system possibly causing electrical shock or electrocution. Any repairs requiring disassembly of your tool requires safety testing and should only be performed by a Ryobi Authorized Service Center. For the service center nearest you call 1-800-525-2579.**

\* Standard Hardware Item – May Be Purchased Locally





## WIRING DIAGRAM